

#### Features

- Bask® heated surface creates spa-like relaxation with soothing warmth on your back, shoulders, and neck.
- Three heat settings allow you to customize the surface temperature.
- 118 to 122 airjets release thousands of heated bubbles that surround and support the body in a warm massage.
- Automatic and manual purge cycles remove residual water from air channels after use.
- Variable-speed blower lets you adjust massage intensity to 18 levels.
- Freestanding design creates a striking focal point in your bathing area.
- 17" (432 mm) depth offers a deep soaking experience.
- Integral lumbar support on both ends.
- Textured bottom surface.
- Wide ledge on one side is ideal for deck-mount faucet and/or handshower.
- Center drain.
- Fluted shroud.
- Built-in 600W BubbleMassage™ heater warms humidified air before it enters the bath.
- Automatic and manual purge cycles remove residual water from air channels after use.
- Built-in 60W electric heater included to keep bath surface warm.

#### Material

- Acrylic.

#### Technology

- Auto-shutoff timer on blower allows users to enjoy Heated BubbleMassage™ experience for 60 minutes before turning off.
- User interface: two separate electronic keypad controls for Heated BubbleMassage™ and Bask®.

#### Installation

- Freestanding.
- PureFlo drains are not recommended for a deck-mount faucet installation.
- Remote blower motor installation required (relocation kit is included).

#### Recommended Products/Accessories

- K-7265 Brass toe tap bath drain
- K-24916 Wireless Music Kit
- K-37385 rough-in cable drain, PVC, 45" cable
- K-37382 45" Rough-in Cable Bath Drain
- K-23726 Drain treatment
- K-23732 Tub & shower cleaner



#### Codes/Standards



ASME A112.19.7/CSA B45.10  
CSA B45.5/IAPMO Z124  
ASTM E162  
ASTM E662  
UL 1795  
CSA C22.2 No. 218.2

#### KOHLER® Hydrotherapy Components Five-Year Limited Warranty

See website for detailed warranty information.

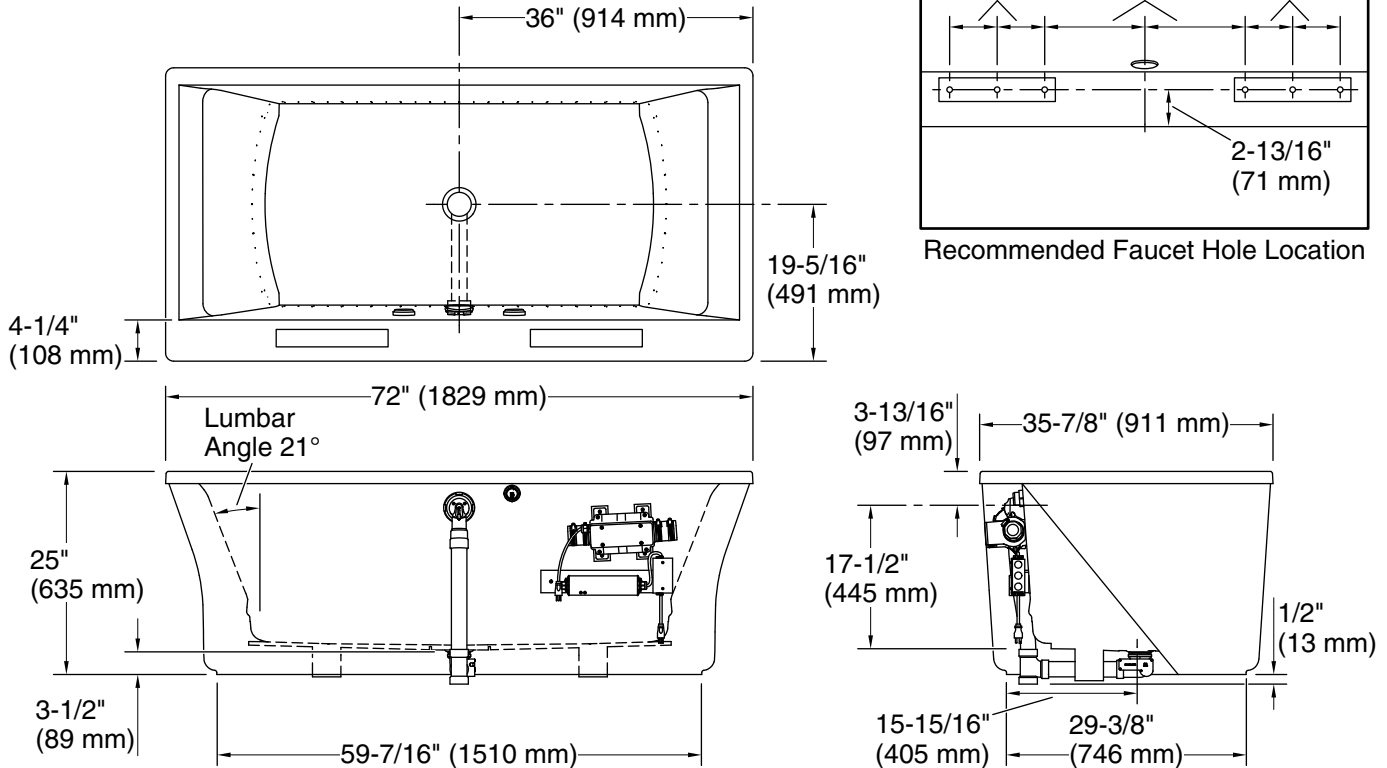
#### Available Colors/Finishes

*Color tiles intended for reference only.*

Color	Code	Description
	0	White
	96	Biscuit

No change in measurements if connected with drain illustrated. (K-37386)

□ Recommended Faucet Location



### Required Electrical Service

Two dedicated circuits required, protected with Class A Ground-Fault Circuit-Interrupter (GFCI). Outside North America, this device may be known as a Residual Current Device (RCD).

Blower, Heated 120 V, 15 A, 60 Hz

Surface:

Air bath: 120 V, 15 A, 60 Hz

### Technical Information

All product dimensions are nominal.

Installation: Freestanding

Drain location: Center

Basin area, bottom: 50-3/4" x 24-7/8" (1289 mm x 632 mm)

Basin area, top: 67-1/2" x 29-3/16" (1715 mm x 741 mm)

Weight: 165 lbs (74.8 kg)

Minimum floor load: 48.8 lbs/ft<sup>2</sup> (238.3 kg/m<sup>2</sup>)

Water depth: 15-11/16" (399 mm)

Water capacity: 90 gal (340.7 L)

Template: Footprint, 1245665, not required, not included

Electrical component rating: Blower: 120 V, 10 A, 60 Hz

Heated Surface: 120 V, 0.5 A, 60 Hz

Air bath: 120 V, 15 A, 60 Hz

### Notes

Measure your actual product for rough-in details.

Install this product according to the installation instructions.

The hot water supply should be 70% of the capacity of the bath or greater. Installations will vary.

This bath is designed for freestanding installation only.

If installing a rim-mount faucet, make sure there is no interference above or below the deck before drilling any holes.